

User Manual

Vent Cover Calimaero KWG

Product Identification

Calimaero KWG 100 EAN: **4054503006089**

Calimaero KWG 125 EAN: **4054503017160**

Calimaero KWG 150 EAN: **4054503044685**



Manufacturer

Klimapartner Haustechnische Handels-GmbH

Lunder Str. 11, 13189 Berlin

Mail: kontakt@klimapartner.de

Web: klimapartner.de

Product Description

The **Vent Cover** is designed as a cover for ventilation pipes, offering superior protection against rain, cold air, and unwanted debris. Crafted from high-quality, weatherproof stainless steel, this vent cover is robust and durable, ensuring long-lasting performance in various environmental conditions. The included rubber sealing strip ensures a tight connection to the exterior facade, reducing noise and preventing drafts.

For added convenience, the vent cover comes with two stainless steel universal screws for easy installation.

Key Features:

- **Weather Protection:** Prevents rain and cold air from entering the building.
- **Insect Screen and louver:** Preventing insects, cold air, and debris from entering.
- **Universal Fit:** Suitable for all standard round ventilation pipes and flexible ducts according to DIN EN 1506.
- **Exhaust and Supply:** Suitable as vent cover for exhaust and supply air
- **High-Quality Materials:** Made from stainless steel for superior weather resistance and durability.
- **Noise Reduction:** Rubber sealing strip minimizes noise and ensures a secure fit.
- **Stylish Design:** Adds a modern, sleek look to any residential or industrial building.

Installation: This vent cover is designed for simple, one-person installation using standard tools. The nozzle fits easily into the ventilation pipe, and is secured to the wall with the provided stainless steel screws.

User Risk Guidelines for calimaero KWG Vent Cover

To ensure safe and effective use of the calimaero KWG Vent Cover, please review the following guidelines:

1. Proper Installation

- Ensure the vent cover is securely installed using the provided screws. Incorrect installation can lead to poor sealing, allowing water, debris, or pests to enter the ventilation system.

2. Structural Integrity

- Verify that the wall or surface where the vent cover is mounted is stable and able to support the cover's weight.
- Do not force the cover into ducts or pipes that are too small, as this may cause damage to both the cover and the ventilation system.

3. Weather Conditions

- While the vent cover is designed to be weatherproof, extreme weather events (e.g., heavy storms, strong winds) could cause damage or dislodge the cover. Periodically inspect the cover after severe weather to ensure it remains intact.

4. Pest & Debris Accumulation

- Although the flaps prevent debris and insects from entering, check the cover regularly to ensure there are no blockages or accumulations that could restrict airflow.

5. Airflow Restrictions

- Do not obstruct or cover the vent in any way. This can hinder airflow, reduce system efficiency, and cause strain on your HVAC system or exhaust fan.

6. Fire Safety

- Never install the vent cover near heat sources or where it may come into contact with flames or extreme heat, as this can compromise the material's durability and safety.

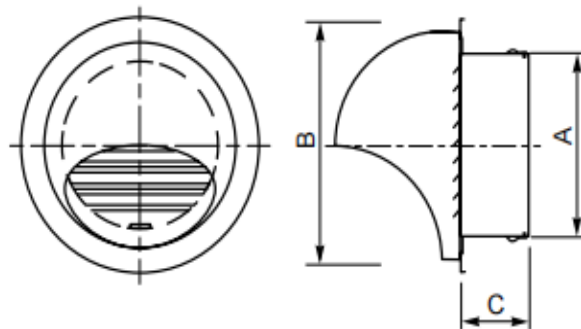
7. Children & Pets

- Avoid placing the vent cover in areas where small children or pets can reach. Ensure they do not tamper with the vent, as damage to the flaps or cover could result in reduced efficiency or hazards.

By following these guidelines, you can ensure the safe and effective operation of your calimaero KWG Vent Cover while protecting your ventilation system and home from potential risks.

Technical Specifications

Model	A Ø (mm)	B Ø (mm)	C (mm)
100	97	133	52
125	120	165	52
150	145	192	62



Product Parts

1. Insect Screen
2. Clamping eyelets for fixing to the pipe
3. Louvre
4. Fixing clamp
5. Rubber seal for a perfect fit
6. 2 stainless steel screws



Installation Instructions for calimaero KWG Vent Cover

Tools Required:

- Standard screwdriver or drill
- Measuring tape
- Pencil or marker
- Ladder (if needed)
- Sealant (optional)

Included in the Package:

- calimaero KWG Vent Cover
- Screws (for mounting)

Step 1: Prepare the Ventilation Pipe

- Ensure the ventilation duct or flexible pipe is clean and free of obstructions.
- Verify that the duct is the correct size for the vent cover.
- If necessary, trim the pipe to ensure a flush fit with the exterior wall.

Step 2: Mark Mounting Positions

- Hold the calimaero KWG Vent Cover against the exterior wall, aligning it with the duct opening.
- Using a pencil or marker, mark the positions of the four screw holes on the wall.

Step 3: Drill Holes (if required)

- If you're mounting the vent cover on a concrete or brick wall, pre-drill the marked holes using a drill bit appropriate for the wall material.
- Ensure the holes are deep enough to securely hold the screws.

Step 4: Insert the Vent Cover

- Insert the vent cover into the ventilation pipe or flexible duct. Ensure the shutter flaps face outward and can move freely.
- The vent cover should fit snugly inside the pipe.

Step 5: Secure the Vent Cover

- Align the screw holes on the vent cover with the marked positions on the wall.
- Fasten the vent cover to the wall using the provided screws.
- Make sure the cover is securely attached and there are no gaps around the edges.

Step 6: Optional Sealing

- For added weather protection, apply a sealant around the edges of the vent cover to prevent water or air leaks.

Step 7: Test the Vent Cover

- Turn on the fan and ensure a proper airflow

Important Notes:

- Regularly inspect and clean the vent cover to ensure proper airflow and prevent blockage.