

Technical Datasheet

Vent Cover Calimaero KWG

Product Identification

Calimaero KWG 100 EAN: **4054503006089**

Calimaero KWG 125 EAN: **4054503017160**

Calimaero KWG 150 EAN: **4054503044685**



Manufacturer

Klimapartner Haustechnische Handels-GmbH

Lunder Str. 11, 13189 Berlin

Mail: kontakt@klimapartner.de

Web: klimapartner.de

Product Description

The External Vent Cover is a robust and weatherproof solution designed to protect ventilation pipes from rain, cold air, and debris. Made from high-quality stainless steel, it ensures durability and long-lasting performance in various conditions. The cover includes a rubber sealing strip that provides a tight, noise-reducing connection to the exterior facade, preventing drafts. It fits all standard round ventilation pipes and flexible ducts according to DIN EN 1506 and can be used for both exhaust and supply air. The vent cover features an insect screen and louvre to block insects and debris, and it offers a sleek, modern design suitable for residential and industrial buildings. Installation is simple, requiring only standard tools, and the cover is secured with the included stainless steel screws.

Conformity of the product

At present, no mandatory harmonized standards (EC Directive) are available for and applicable to the products listed above. Directive 2011/65/EU and its amendment Directive (EU) 2015/863 (RoHS) lays down rules on the restriction of the use of hazardous substances in electrical and electronic equipment (EEE) with a view to contributing to the protection of human health and the environment, including the environmentally sound recovery and disposal of waste EEE.

Test specification: Total concentration of Lead, Cadmium, Mercury, Chromium VI, Polybrominated Biphenyls (PBBs), Polybrominated Diphenyl Ethers (PBDEs), Bis(2-ethylhexyl) phthalate (DEHP), Butyl benzyl phthalate (BBP), Dibutyl phthalate (DBP) and Diisobutyl phthalate (DIBP) in accordance with the Directive.

Result: Based on the analysis on the submitted sample(s), the test results comply with the concentration limits as specified in Annex II to Directive 2011/65/EU.

Risk Assessment: Installation of External Vent Cover

Hazard	Potential Risk	Risk Level	Control Measures
Use of drill, screwdriver	Cuts, abrasions, or puncture injuries from improper tool handling	Medium	Wear appropriate PPE such as gloves. Ensure tools are in good working condition. Use proper techniques.
Drilling into the wall	Dust inhalation and debris causing respiratory or eye irritation	Low	Wear safety goggles and a dust mask when drilling. Ensure good ventilation.
Falling objects	Dropping tools or vent cover during installation	Medium	Secure all tools and components on a stable surface. Wear safety boots to protect feet.
Working at height	Falls from ladders or unstable platforms	High	Use a stable ladder or platform. Ensure it is positioned securely. Avoid overreaching.
Sharp edges on vent cover	Cuts from handling the stainless steel vent cover	Low	Wear gloves to protect hands when handling the vent cover.
Noise exposure	Hearing damage from prolonged use of power tools	Low	Wear ear protection if using power tools for extended periods.
Improper installation	vent cover may fall or loosen, leading to damage or injury	Medium	Ensure the vent cover is securely fastened using the provided screws and appropriate dowels. Double-check alignment and fit.
Electrical hazards	Risk of hitting electrical wires while drilling	High	Use a cable detector to locate any hidden wires. Avoid drilling in areas where wires are present.

Residual Risk After Controls:

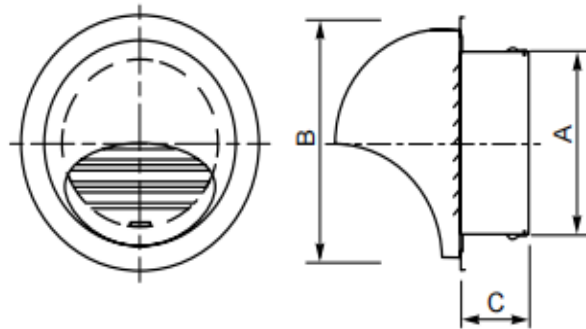
Low to medium with appropriate safety precautions in place. Proper use of PPE, safe tool handling, and adherence to installation guidelines reduce the likelihood of accidents or injury.

Emergency Procedures:

In case of injury, seek first aid or medical assistance immediately. For electrical shocks, shut off power and seek urgent medical help. If a fall occurs, assess the injury and call for assistance if necessary.

Technical Specifications

Model	A Ø (mm)	B Ø (mm)	C (mm)
100	97	133	52
125	120	165	52
150	145	192	62



Product Parts

1. Insect Screen
2. Clamping eyelets for fixing to the pipe
3. Louvre
4. Fixing clamp
5. Rubber seal for a perfect fit
6. 2 stainless steel screws



Installation Instructions for calimaero KWG Vent Cover

Tools Required:

- Standard screwdriver or drill
- Measuring tape
- Pencil or marker
- Ladder (if needed)
- Sealant (optional)

Included in the Package:

- calimaero KWG Vent Cover
- Screws (for mounting)

Step 1: Prepare the Ventilation Pipe

- Ensure the ventilation duct or flexible pipe is clean and free of obstructions.
- Verify that the duct is the correct size for the vent cover.
- If necessary, trim the pipe to ensure a flush fit with the exterior wall.

Step 2: Mark Mounting Positions

- Hold the calimaero KWG Vent Cover against the exterior wall, aligning it with the duct opening.
- Using a pencil or marker, mark the positions of the four screw holes on the wall.

Step 3: Drill Holes (if required)

- If you're mounting the vent cover on a concrete or brick wall, pre-drill the marked holes using a drill bit appropriate for the wall material.
- Ensure the holes are deep enough to securely hold the screws.

Step 4: Insert the Vent Cover

- Insert the vent cover into the ventilation pipe or flexible duct. Ensure the shutter flaps face outward and can move freely.
- The vent cover should fit snugly inside the pipe.

Step 5: Secure the Vent Cover

- Align the screw holes on the vent cover with the marked positions on the wall.
- Fasten the vent cover to the wall using the provided screws.
- Make sure the cover is securely attached and there are no gaps around the edges.

Step 6: Optional Sealing

- For added weather protection, apply a sealant around the edges of the vent cover to prevent water or air leaks.

Step 7: Test the Vent Cover

- Turn on the fan and ensure a proper airflow

Important Notes:

- Regularly inspect and clean the vent cover to ensure proper airflow and prevent blockage.