

# User Manual

## Air valve with adjustable core Calimaero TVE

### Product Identification

Calimaero TVE 100 EAN: 4054503000308

Calimaero TVE 125 EAN: 4054503039438

Calimaero TVE 150 EAN: 4054503046757

Calimaero TVE 160 EAN: 4054503000322

### Manufacturer

Klimapartner Haustechnische Handels-GmbH

Lunder Str. 11, 13189 Berlin

Mail: [kontakt@klimapartner.de](mailto:kontakt@klimapartner.de)

Web: [klimapartner.de](http://klimapartner.de)



### Product Description

The exhaust and supply air valve is made of brushed stainless steel and designed to prevent rain, cold air, and debris from entering ventilation systems. It is centrally arranged with a threaded spindle to easily adjust the airflow by rotating the vent cover. Start with a small opening and increase slowly until the desired discharge or supply volume is achieved.

The valve can easily be installed and fits in common round ventilation pipes and flexible pipes according to DIN EN 1506. It is suitable for wall mounting and ceiling mounting. The mounting frame and screws are included.

**Installation:** This air valve is designed for simple, one-person installation using standard tools. The nozzle fits easily into the ventilation pipe, and the mounting frame is secured to the wall with the provided stainless steel screws.

## User Risk Guidelines for calimaero TVE air valve

To ensure safe and effective use of the calimaero TVE air valve, please review the following guidelines:

### 1. Proper Installation

- Ensure the air valve is securely installed using the provided screws. Incorrect installation can lead to poor sealing, allowing water, debris, or pests to enter the ventilation system.

### 2. Structural Integrity

- Verify that the wall or surface where the air valve is mounted is stable and able to support the cover's weight.
- Do not force the cover into ducts or pipes that are too small, as this may cause damage to both the cover and the ventilation system.

### 3. Weather Conditions

- While the vent cover is designed to be weatherproof, extreme weather events (e.g., heavy storms, strong winds) could cause damage or dislodge the cover. Periodically inspect the cover after severe weather to ensure it remains intact.

### 4. Pest & Debris Accumulation

- Although the flaps prevent debris and insects from entering, check the cover regularly to ensure there are no blockages or accumulations that could restrict airflow.

### 5. Airflow Restrictions

- Do not obstruct or cover the vent in any way. This can hinder airflow, reduce system efficiency, and cause strain on your HVAC system or exhaust fan.

### 6. Maintenance

- Ensure the movable flaps are not stuck or blocked, as improper function can affect ventilation efficiency and allow unwanted elements to enter.

### 7. Fire Safety

- Never install the vent cover near heat sources or where it may come into contact with flames or extreme heat, as this can compromise the material's durability and safety.

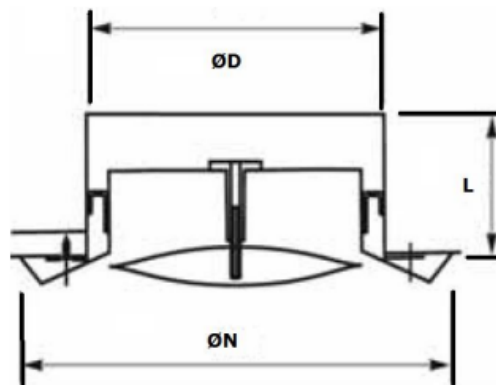
### 8. Children & Pets

- Avoid placing the vent cover in areas where small children or pets can reach. Ensure they do not tamper with the vent, as damage to the flaps or cover could result in reduced efficiency or hazards.

By following these guidelines, you can ensure the safe and effective operation of your calimaero TVE air valve while protecting your ventilation system and home from potential risks.

Technical Specifications and Product parts

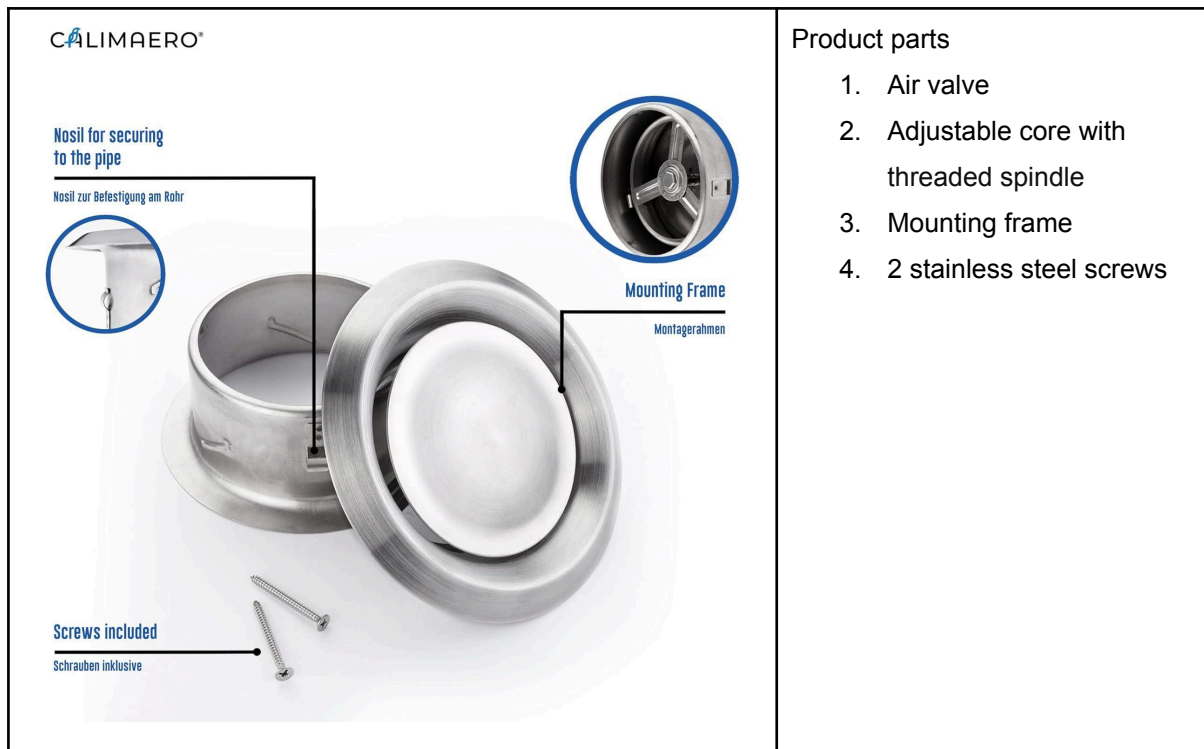
SIZE	ØD (mm)	ØN (mm)	L (mm)	Qv (3m/s) [m³/h]
TVE 100	100	140	50	80
TVE 125	125	170	50	130
TVE 150	150	208	63	170
TVE 160	160	218	63	180



Qv	Type	100	125	150	160
30	Ps	15			
	L'	0.2			
40	Ps	25	11		
	L'	0.4	0.3		
60	Ps	53	23	3	2
	L'	0.7	0.4	0.3	0.2
80	Ps	100	51	10	8
	L'	1.2	0.7	0.5	0.4
130	Ps		139	25	22
	L'		1.5	1	0.9
190	Ps			56	48
	L'			1.8	1.6

Qv = Air Volume in m³/h

L' = Horizontal throw in m at end velocity



## Installation Instructions for calimaero TVE air valve

### Tools Required:

- Standard screwdriver or drill
- Measuring tape
- Pencil or marker
- Ladder (if needed)
- Sealant (optional)
- 

### Included in the Package:

- calimaero TVE air valve
- Mounting frame
- Screws (for mounting)

### Step 1: Prepare the Ventilation Pipe

- Ensure the ventilation duct or flexible pipe is clean and free of obstructions.
- Verify that the duct is the correct size for the air valve.
- If necessary, trim the pipe to ensure a flush fit with the exterior wall.

### Step 2: Mark Mounting Positions

- Hold the Mounting frame against the exterior wall, aligning it with the duct opening.
- Using a pencil or marker, mark the positions of the two screw holes on the wall.

## Step 3: Drill Holes (if required)

- If you're mounting the air valve on a concrete or brick wall, pre-drill the marked holes using a drill bit appropriate for the wall material.
- Ensure the holes are deep enough to securely hold the screws.

## Step 4: Secure the Mounting frame

- Align the screw holes on the mounting frame with the marked positions on the wall.
- Fasten the mounting frame to the wall using the provided screws.
- Make sure the frame is securely attached and there are no gaps around the edges.

## Step 5: Insert the Air valve

- Insert the air valve into the ventilation pipe or flexible duct.
- The air valve should fit snugly inside the pipe.

## Step 6: Adjust the airflow

- Rotate the core of the valve to adjust the airflow

## Step 7: Test the air valve

- Turn on the ventilation system to check that the air is flowing through the valve.

---

## Important Notes:

- Regularly inspect and clean the air valve to ensure proper airflow and prevent blockage.